

### GENERAL FEATURES

- **TORK series S6078 direct acting plate mounting Stainless Steel solenoid valves are 2/2 way normally closed and have small body size.**
- **On request manuel override**
- **Without manuel override, for small body (1/8" and 1/4"), square type body and easy installation**
- **Suitable for non-aggressive liquids (water, light oil (2E) etc...), gaseous fluids (air, inert gases etc...)**
- Working Temperature: -10°C / +160°C
- Not suitable for use with dangerous fluids listed in Group 1
- **Don't require any differential pressure**
- Compact and low weight valve enabling and quick installation
- High reliability, quality and performance; long life, corrosion resistance
- Wide pressure ratings, range of flow rate and orifice options
- **On request; solenoid valve can have 4 mounting holes at the bottom of the body.**
- Ideal for the automatic control of media in a wide range of applications.
- TORK solenoid valves satisfy relevant 97/23/EC, Pressure Equipment Directive (PED) and 2006/95/EEC Low Voltage Directive (LVD).
- Coils interchangeable
- Flow factor Kv of each valve is indicated, so that the flow Q can be calculated as a function of pressure
- Solenoid valves must be used with filtered fluids.
- Solenoid valve can be mounted in any position without affecting operation; vertical with coil upwards preferred.
- Standard pipe connection is G (BSP) (ISO 228-1) and on request; other pipe connections are available (NPT (ANSI 1.20.3))

### ELECTRICAL CHARACTERISTICS

Continuous Duty	: ED %100
Coil Insulation Class	: H (180°C)
Coil Impregnation	: Polyester Fiber Glass
Coil Encapsulation Material	: Fiber Glass Reinforced
Ambient Temperature	: from -10°C; +60°C
Protection Degree	: IP 65 (EN 60529) with coil duly fitted with the plug connector
Electric Plug Connection	: DIN 46340 3-poles connectors (DIN 43650)
Connector Specification	: ISO 4400 / EN 175301-803, Form A, Spade plug (Cable Ø 6-8 mm)
Electrical Safety	: IEC 335
Standard Voltages	: For AC 12V, 24V, 48V, 110V, 230V For DC 12V, 24V, 48V, 110 V

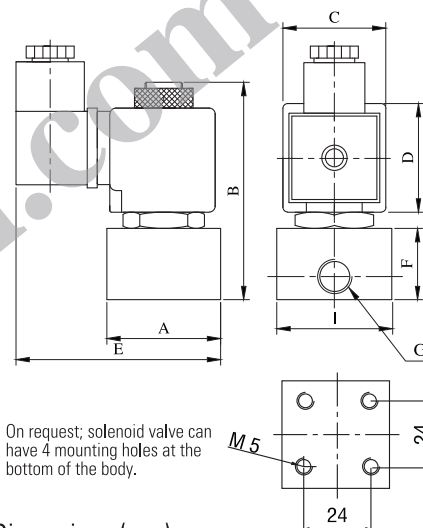
Other voltages on request;  
Voltage Tolerances : For AC -15%; +10%, For DC -5%; +10%  
Frequency : 50 Hz , other frequencies on request; (60 Hz)  
On request; connector with LED  
Specify coil voltage with order

### MATERIALS IN CONTACT WITH FLUID TECHNICAL FEATURES

Body	: Stainless Steel	Max Viscosity	: 5°E (-37cSt or mm <sup>2</sup> /s)
Internal Parts	: Stainless Steel	Response Time	: Opening Time:30 ms, Closing Time :30 ms
Sealing	: PTFE	Maximum Allowable Pressure:30 bar and 100 bar	(for S6078.00.010 and S6078.01.010)
Shading Ring	: Copper		
Seats	: Brass		
Core Tube	: Stainless Steel		
Springs	: Stainless Steel		

### Normally Closed

Plate Mounting



On request; solenoid valve can have 4 mounting holes at the bottom of the body.

### Dimensions (mm)

	G	A	B	C	D	E	F	I	H
1/8"	35	78.5	32	39	68	26.5	35	-	-
1/4"	35	78.5	32	39	68	26.5	35	-	-

Valve Type / Order no	Connection Size	Orifice size	Pressure		KV	Fluid Temperature		Seal	Weight
			min	max		min	max		
<b>S6078</b>	<b>G</b>	<b>mm</b>	<b>bar</b>	<b>bar</b>	<b>lt/min</b>	<b>°C</b>			<b>(kg)</b>
S6078.00.030	1/8"	3	0	10	4.6	-10	160	PTFE	0.47
S6078.00.010	1/8"	1	0	100	0.6	-10	160	PTFE	0.47
S6078.00.018	1/8"	1.8	0	16	1.6	-10	160	PTFE	0.47
S6078.00.025	1/8"	2.5	0	12	3.2	-10	160	PTFE	0.47
S6078.00.040	1/8"	4	0	9	6.4	-10	160	PTFE	0.47
S6078.00.050	1/8"	5	0	7	9.2	-10	160	PTFE	0.47
S6078.01.030	1/4"	3	0	10	4.6	-10	160	PTFE	0.46
S6078.01.010	1/4"	1	0	100	0.6	-10	160	PTFE	0.46
S6078.01.018	1/4"	1.8	0	16	1.6	-10	160	PTFE	0.46
S6078.01.025	1/4"	2.5	0	12	3.2	-10	160	PTFE	0.46
S6078.01.040	1/4"	4	0	9	6.4	-10	160	PTFE	0.46
S6078.01.050	1/4"	5	0	7	9.2	-10	160	PTFE	0.46
S6078.01.060	1/4"	6	0	5	11	-10	160	PTFE	0.46
S6078.01.070	1/4"	7	0	4	12.4	-10	160	PTFE	0.46

### Useful Informations

1 bar:14,5 PSI:10 mH<sub>2</sub>O:10 N/cm<sup>2</sup>:1 kg/cm<sup>2</sup>:100000 Pa , 1 PSI:69 mbar,1 m<sup>3</sup>/h:4,405 GPM:16,7 L/d 1 Gallon / minute:0,227 m<sup>3</sup>/h, 0°C:89,6 F  
Sealings:PTFE:Polytetrafluorethylene